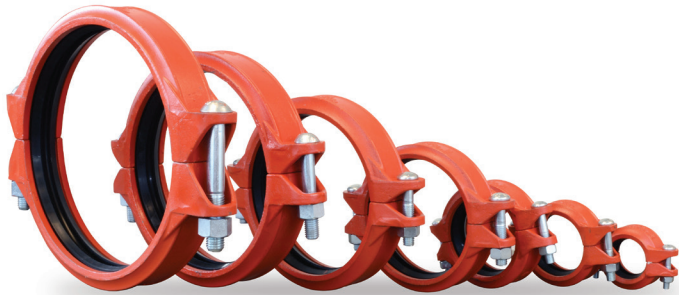
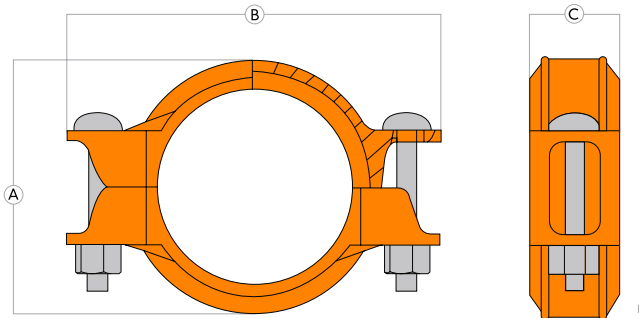


Standard Flexible Coupling M7705



Made to USA standards, to easily interchange with other major manufacturers, the Munro flexible coupling is ideal for use in countless piping applications where misalignment might be present. The M7705 can accommodate vibration, thermal stress and moderate seismic activity. This tried and true coupling offers pressure ratings to 500 psi, depending on pipe size and wall thickness.

Materials	
Couplings	Ductile iron, non-lead orange rust-inhibiting paint coating, ASTM A536, Grade 65-45-12
Bolts	Carbon steel, heat treated and zinc plated, tensile strength to 110,000 psi: ASTM A 183 Grade 2
Nuts	Carbon steel and zinc plated: ASTM 563 Grade 2
Gaskets	Nitrile, orange color-coded, service temperature: -20°F to 180°F (-29°C to 82°C)



Nominal Size	Pipe OD	Max. Working Pressure (CWP)	Dimensions			Bolts		Approx. Weight	Model Number
			A	B	C	Qty	Size		
in/mm	in/mm	psi/bar	in/mm	in/mm	in/mm		in/mm	lb/kg	
2 50	2.375 60.3	500 35	3.31 84	5.08 129	1.89 48	2	3/8 x 2 1/8 M10 x 55	1.8 0.8	M7705X2
3 80	3.5 88.9	500 35	4.57 116	6.65 169	1.89 48		1/2 x 3 M12 x 75	2.8 1.3	M7705X3
4 100	4.5 114.3	500 35	5.71 145	7.76 197	2.05 52		1/2 x 3 M12 x 75	4.1 1.9	M7705X4
6 150	6.625 168.3	450 31	7.87 200	10.55 268	2.44 62		5/8 x 3 1/2 M16 x 90	6.4 2.9	M7705X6
8 200	8.625 219.1	300 20	10.24 260	13.78 350	2.52 64		5/8 x 3 1/2 M16 x 90	11 4.9	M7705X8
10 250	10.750 273.0	300 20	13.50 343	16.73 425	2.52 64		3/4 x 4 3/4 M20 x 120	16 7.20	M7705X10
12 300	12.750 323.9	300 20	15.35 390	18.39 467	2.52 64		7/8 x 6 1/2 M22 x 165	22.5 10.8	M7705X12