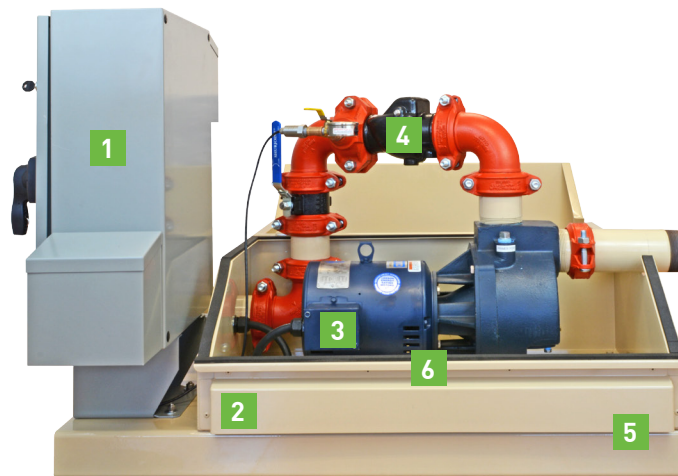
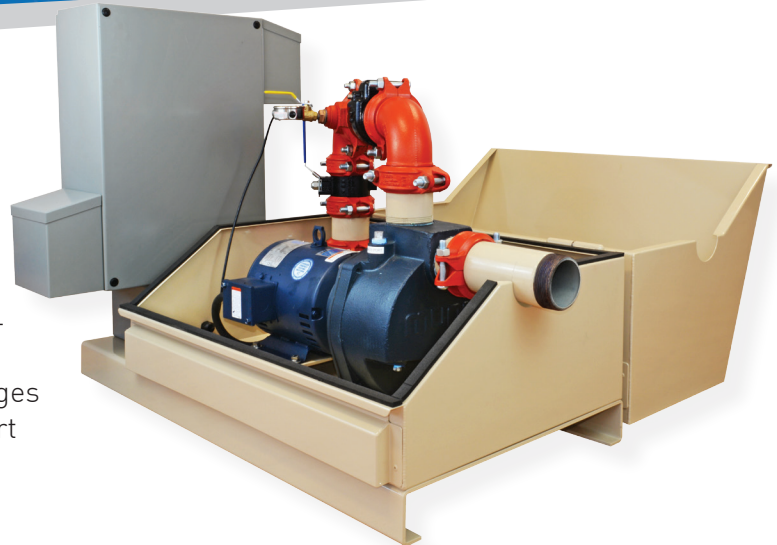


# Munro Systems

## Simplicity 70VFD Pump Stations

This self-contained pumping station is a low-maintenance, high-value solution for a large residential or small agricultural, municipal, or commercial irrigation system.

With a variable frequency drive (VFD) and professional-grade pump, the Simplicity 70VFD is an alternative to across-the-line start, which can create pressure changes on low-gallon zones. This system offers a true soft start and soft stop.



**1 VARIABLE FREQUENCY DRIVE WITH SMART SOFTWARE** – Cost saving and environmentally conscience constant pressure flow control, with pump protection features: pressure surges, loss of prime, rapid cycling, dead heading, over pressure, motor overload, low/high voltage, thru door breaker disconnect. Baseline 3200 compatibility upgrade available.

**2 ENCLOSURE** – Powder-coated marine-grade aluminum offers durable, non-corrosive housing to stand up to the elements.

**3 PUMP** – Durable and long lasting centrifugal pumps for boost or suction lift applications, with superior performance to horsepower. Offered in 5 hp, with top-of-the-line components that are only available as costly upgrades on other pumps.

**4 FITTINGS AND ACCESSORIES** – From our rugged pipe and grooved couplings to the long-lasting gauges, valves and electrical components included, the Simplicity 70VFD is complete with everything you need.

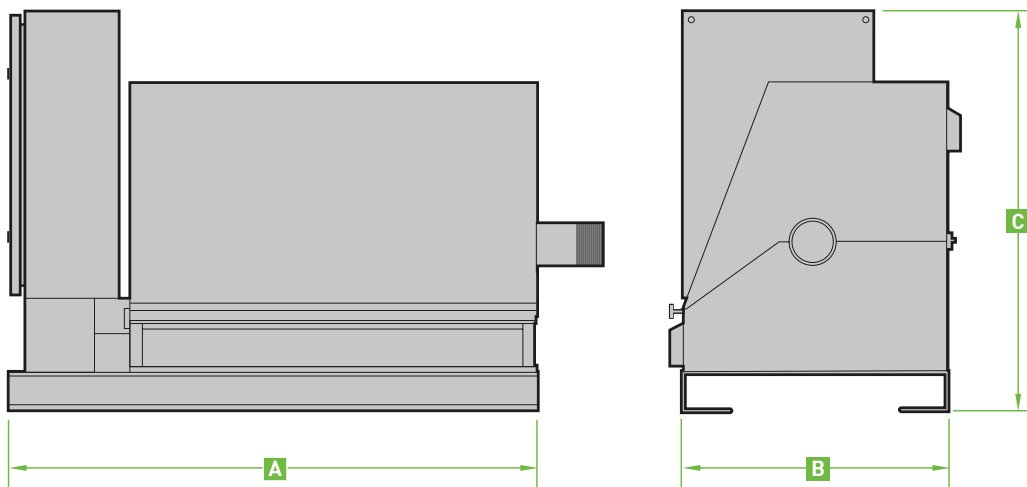
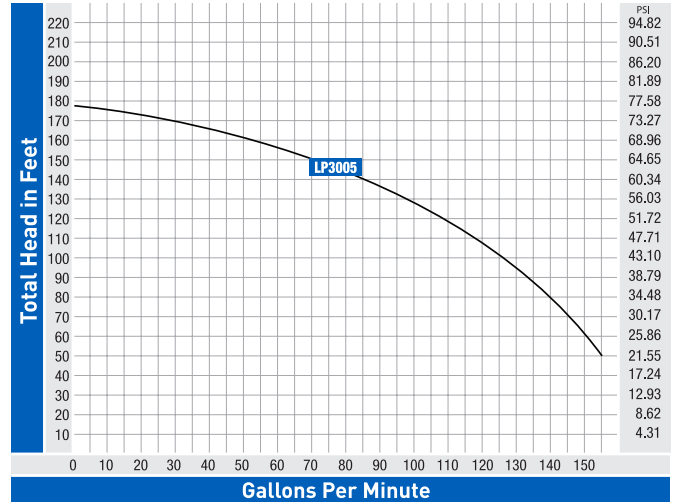
**5 SELF COOLING** – Vented for air flow to keep the pump cool.

**6 SECURITY** – Panel and enclosure lockable.

# Simplicity 70VFD Pump Stations

## The Simplest Professional-Grade Pump Station

- **Simple specifying** – One part number, one product. It doesn't get any easier than that.
- **Simple controls** – No throttling valves or dampeners means fewer controls for simpler operation.
- **Simple maintenance** – Lower operating speeds means longer life for bearings and motors, while a soft-start and controlled ramp-up eliminate water hammering.



### Dimensions

A	B	C
44"	22 1/8"	33 1/2"

### Specifications

HP	Incoming Power	Voltage	Starting Method	Discharge	Suction	Control	Approx Ship Weight/Lbs	Model Number
5	1ph or 3ph	208-230-460	PRESSURE/CLOCK	3"	3"	VFD	232	Simplicity70VFD-5(1/3)