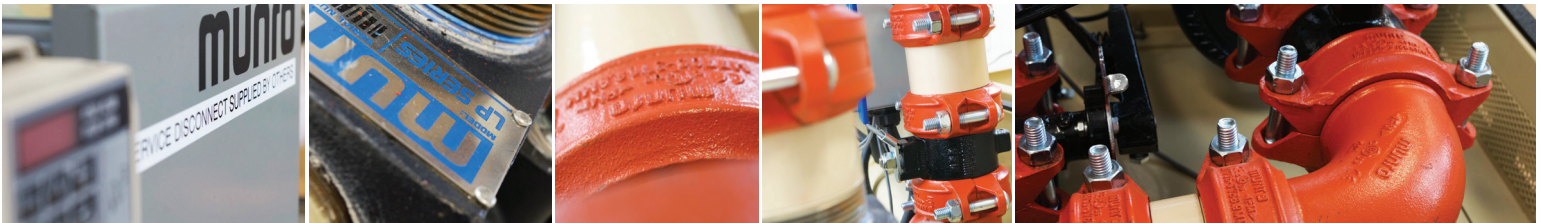


Simplicity Pump Stations

This self-contained UL-QCZJ pumping station is a low-maintenance, high-value solution for commercial, agricultural, and residential irrigation systems.

- Suction lift or pressure boost – Specify your application to get the configuration you need.
- True soft start and stop – can be started via pressure or clock
- Constant pressure – avoid pressure changes on low-gallon zones
- Quick ship – Can ship in 2 weeks or less
- Start-up and support – Phone support from the Munro team as well as our national network of service providers.



1 VARIABLE FREQUENCY DRIVE WITH SMART SOFTWARE – Cost saving and environmentally conscience constant pressure flow control, with pump protection features: pressure surges, loss of prime, rapid cycling, dead heading, over pressure, motor overload, low/high voltage, power disconnect.

2 ENCLOSURE – Powder-coated marine-grade aluminum offers durable, non-corrosive housing to stand up to the elements.

3 PUMP – Durable and long lasting centrifugal pumps for boost or suction lift applications, with superior performance to horsepower. Offered in 3 hp and 5 hp, with top-of-the-line components that are only available as costly upgrades on other pumps.

4 FITTINGS AND ACCESSORIES – From our rugged pipe and grooved couplings to the long-lasting gauges, valves and electrical components included, the Simplicity pump stations are complete with everything you need.

5 SELF COOLING – Vented for air flow to keep the pump cool.

6 SECURITY – Lockable enclosure.

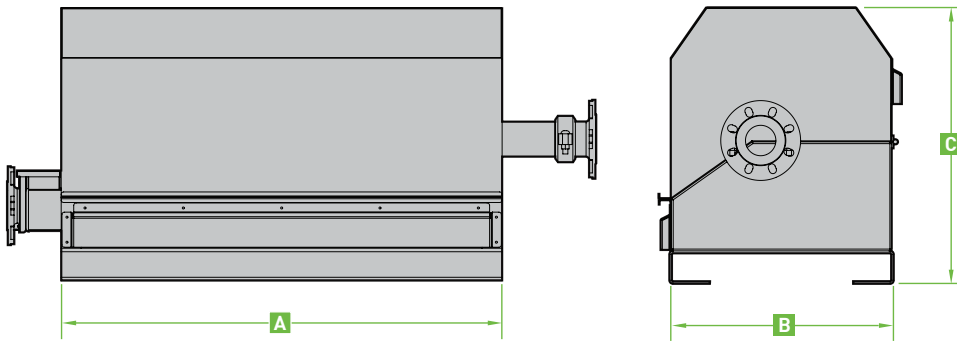
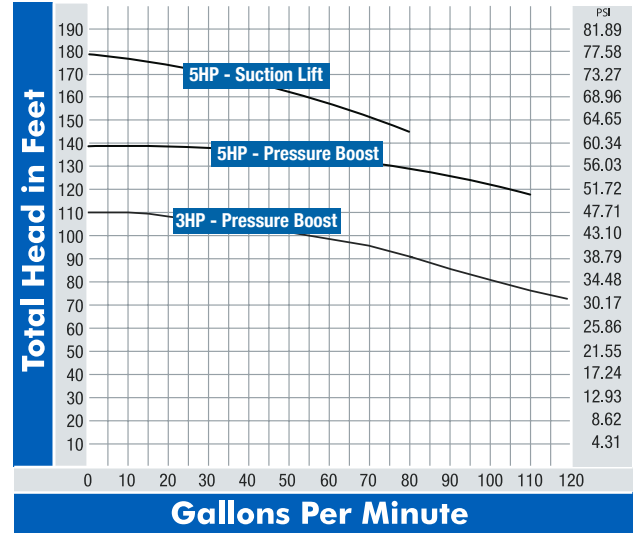
munro

www.munropump.com | 1.800.942.4270

Simplicity Pump Stations

The Simplest Professional-Grade Pump Station

- **Simple specifying** – One part number, one product. It doesn't get any easier than that.
- **Simple controls** – No throttling valves or dampeners means fewer controls for simpler operation.
- **Simple maintenance** – Lower operating speeds means longer life for bearings and motors, while a soft-start and controlled ramp-up reduces water hammering.



Dimensions

A	44"
B	22 1/8"
C	27 1/4"

Specifications

HP	Incoming Power	Voltage	Starting Method	Discharge in	Suction in	Control	Suction Lift/ Pressure Boost	Approx Ship Weight lbs	Model Number
5	1PH	230	PRESSURE/ CLOCK	3	3	VFD	Suction Lift	320	SIMP23051PHSL
	3PH	230						320	SIMP23053PHSL
	3PH	460						320	SIMP46053PHSL
	1PH	230					Pressure Boost	336	SIMP23051PHBP
	3PH	230						336	SIMP23053PHBP
	3PH	460						336	SIMP46053PHBP

HP	Incoming Power	Voltage	Starting Method	Discharge in	Suction in	Control	Suction Lift/ Pressure Boost	Approx Ship Weight lbs	Model Number
3	1PH	230	PRESSURE/ CLOCK	3	3	VFD	Pressure Boost	330	SIMP23031PHBP
	3PH	230						330	SIMP23033PHBP
	3PH	460						330	SIMP46033PHBP

