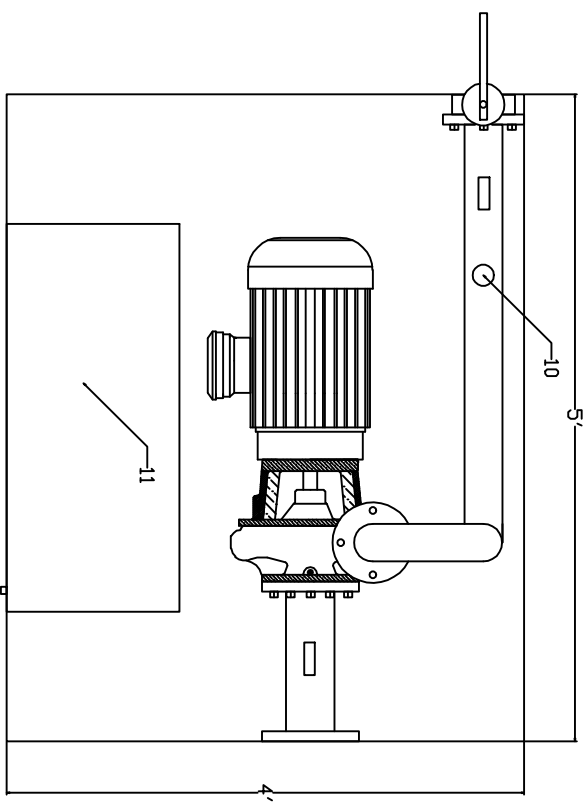
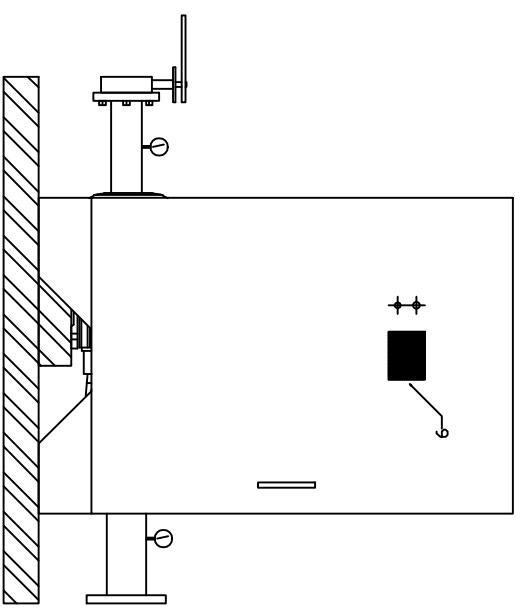


Model	Capacity Per Minute	1750 RPM	220 Volt 60 Hz	480 Volt 60 Hz	Standard Discharge
80-400					8"
350-400					8"

#	Description
1	Discharge Safety Valve
2	Isolation Valve Pressure Transducer & Pressure Gauge
3	Discharge Check Valve
4	Isolation Valve & Pressure Gauge
5	Pressure Control Discharge Header
6	Pressure Control Discharge Header
7	Overload Pump
8	Pressure Control Ball
9	Touch Screen
10	Optional Flow Switch
11	Control Panel



Note: This drawing is provided for recommendation only for the aid and services of our customers & is not to be construed as a Professional Engineered Design. This design is done per customer request, and information is supplied to us by the customer. Any changes will effect the design. All dementions are for reference only and need to be verified before installation.

Authorized signature is required before fabrication.

Signed By: \_\_\_\_\_

Title: \_\_\_\_\_



Project:  
Munro Stand Alone No Filter  
No Enclosure

DATE:  
3/13/2009

Drafted By:  
JTM

Sheet #:  
1